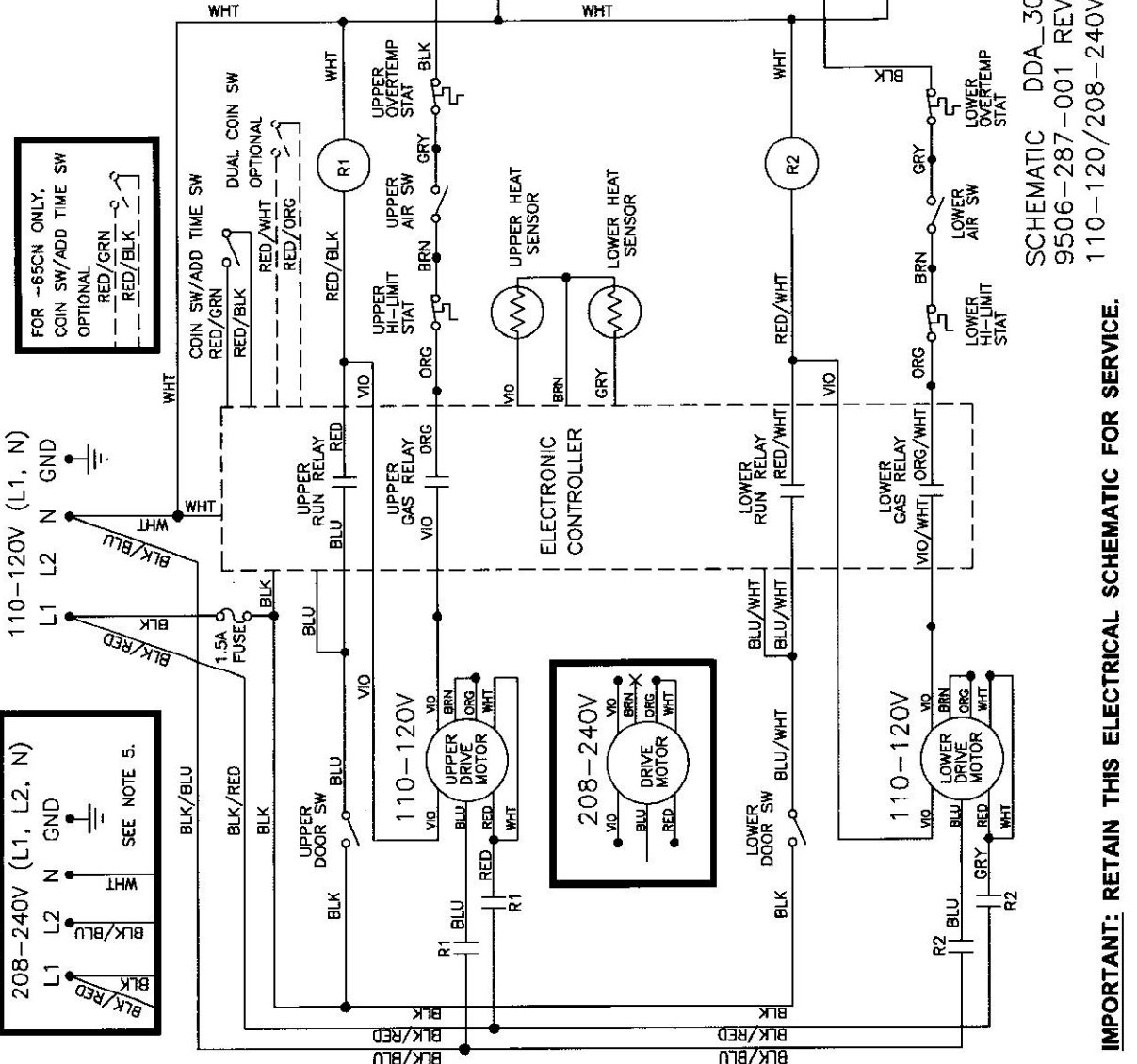


Wiring Schematic for DDAD Dryer

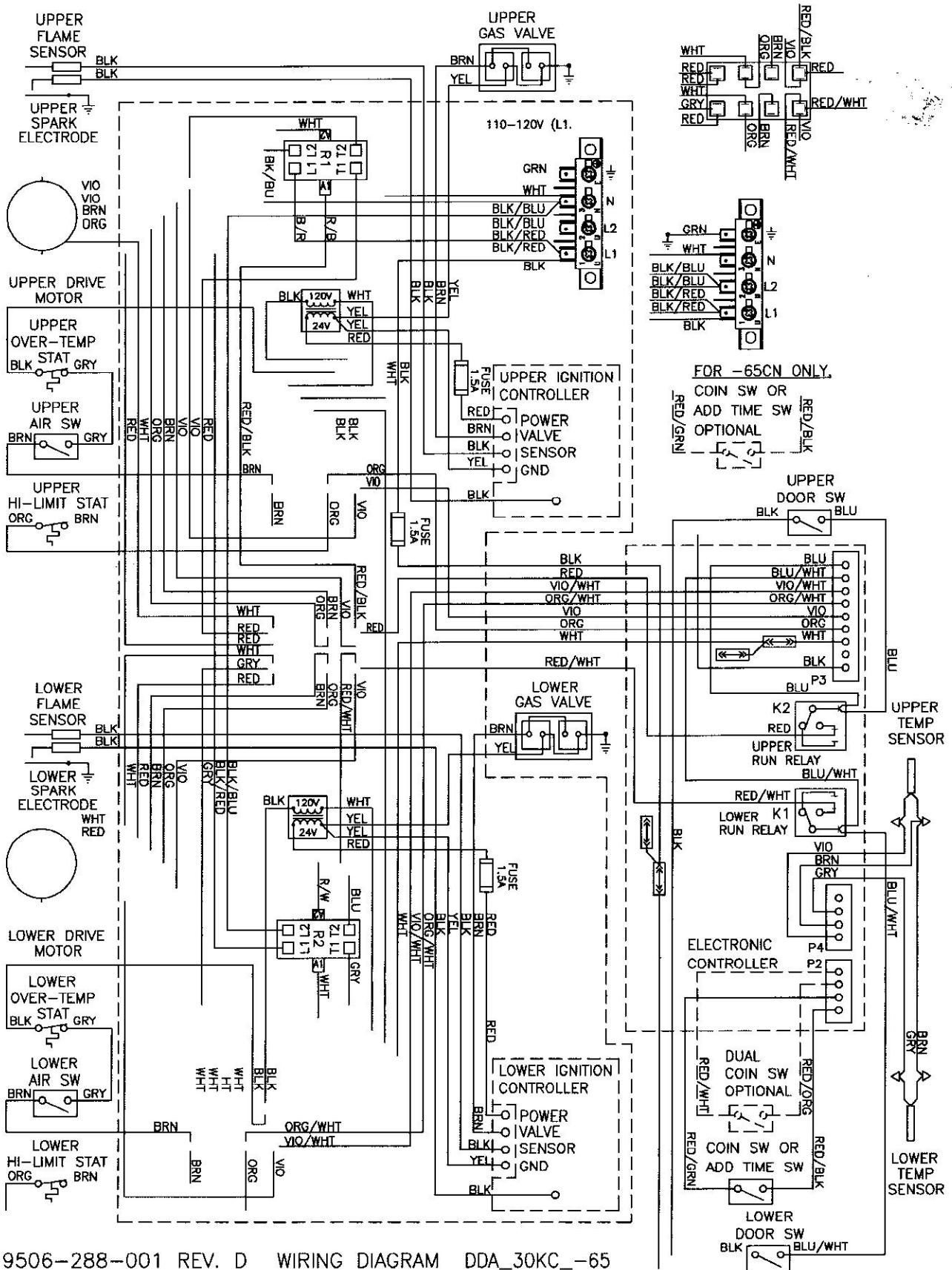
- NOTES:**
1. COIN SWITCH/ADD TIME SWITCH IS N.O. SWITCH CLOSED WHEN COIN IS INSERTED.
 2. DOOR SWITCHES ARE N.O. SWITCHES CLOSED WHEN DOOR IS CLOSED.
 3. MOTOR RUN RELAY CONTACT WILL CLOSE WHEN THE COIN COUNT IS SATISFIED, THE DOOR CLOSED AND THE START BUTTON PRESSED.
 4. REFER TO OWNERS MANUAL FOR DESCRIPTION OF OPERATION AND REQUIREMENTS FOR HEATING CIRCUIT.
 5. FOR 240V ONLY, NEUTRAL MUST BE EARTHED MID POINT OF PHASE & THE "HIGH" LEG CAN BE CONNECTED TO L2, BUT NEVER TO L1.



SCHEMATIC DDA_30KC_65
 9506-287-001 REV. C
 110-120/208-240V, 1 PHASE, 60 HZ

IMPORTANT: RETAIN THIS ELECTRICAL SCHEMATIC FOR SERVICE.

Wiring Diagram for DDAD Dryer



9506-288-001 REV. D WIRING DIAGRAM DDA_30KC_-65

IMPORTANT: RETAIN THIS ELECTRICAL DIAGRAM FOR SERVICE.